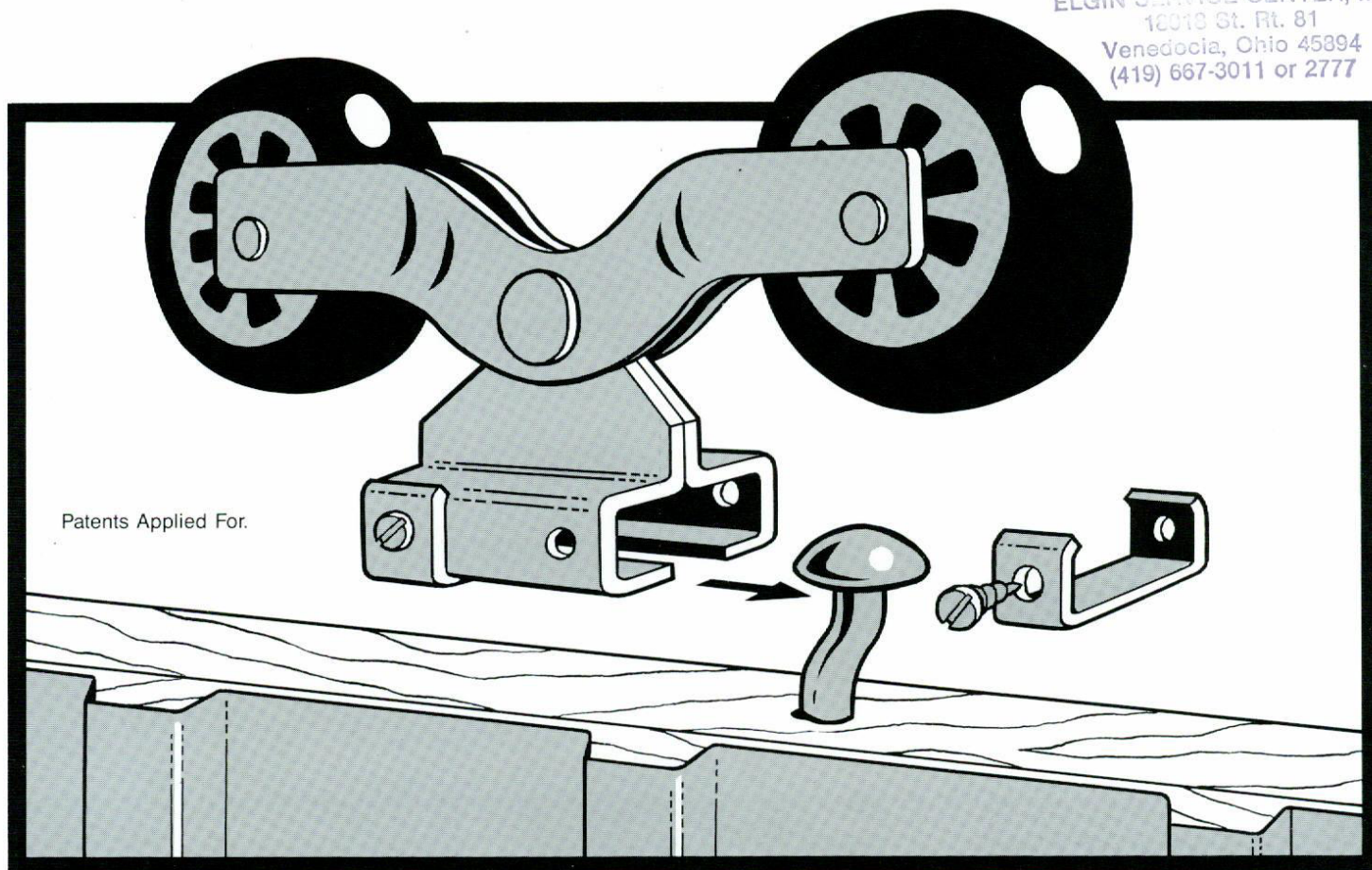


COMBO[®]

TRUNDLE TROLLEY

... takes the "struggle" out of hanging sliding doors!

ELGIN SERVICE CENTER, INC.
12018 St. Rt. 81
Venedocia, Ohio 45894
(419) 667-3011 or 2777



- Saves time and labor!
- Simplifies the hanging of sliding doors!
- Minimizes wind problems!
- Competitively priced!

Now, there's no need to round-up your entire building crew to struggle with the weight of the sliding door while feeding trolley hangers into the end of the track, or to postpone door installation until the wind dies down. With the new Combo Trundle Trolley, hanging sliding doors is easy, fast and safe. Unmounted Trundle Trolleys are simply rolled into the track and hanger bolts are installed in the door leaf while on the ground. The door leaf is then leaned against the building beneath the track and the Trundle Trolleys are rolled over to engage and lock-in the hanger bolts. Final door height adjustment is made with the locking nuts on the hanger bolts.

Printed in U.S.A.

COMBO[®]

COMBO CORPORATION

Industrial Park, Elkhart Lake, Wisconsin 53020
(800)558-5895; In WI: (800)872-3370; FAX: (414)876-3527